



MAX8848Z Evaluation Kit

General Description

The MAX8848Z evaluation kit (EV kit) is a fully assembled and tested PCB that demonstrates the MAX8848Z high-performance negative charge pump. The MAX8848Z integrates an inverting charge pump and 7 current regulators capable of 24mA each to drive up to 7 white LEDs (WLEDs). The EV kit operates from a 2.7V to 5.5V input supply range and includes two pulse generators that are used for testing the MAX8847Y/MAX8848Y single-wire, serial-pulse dimming feature. The EV kit can also evaluate the MAX8847Y, MAX8847Z, and MAX8848Y. To evaluate the MAX8847Y, MAX8847Z, or MAX8848Y, request a free sample when ordering the EV kit.

Features

- ◆ Negative 1x/1.5x Charge Pump
- ◆ Adaptive Current Regulators
- ◆ Independent Voltage Supply for Each LED
- ◆ 24mA to 0.1mA Serial-Pulse Dimming (MAX8847Y/MAX8848Y)
- ◆ 24mA to 0mA PWM Dimming (MAX8847Z/MAX8848Z)
- ◆ 2% (max) LED Current Accuracy, 1% (typ) Matching
- ◆ Low 120 μ A Quiescent Current
- ◆ Low 0.4 μ A Shutdown Current
- ◆ Inrush Current Limit
- ◆ Temperature Derating Function
- ◆ 16-Pin, 3mm x 3mm Thin QFN Package
- ◆ Tiny External Components
- ◆ Fully Assembled and Tested

Ordering Information

PART	TYPE
MAX8848ZEVKIT+	EV Kit

+Denotes lead(Pb)-free and RoHS compliant.

Component List

DESIGNATION	QTY	DESCRIPTION
C1-C4	4	1 μ F \pm 20%, 10V X5R ceramic capacitors (0603) TDK C1608X5R1A105K
C5	1	0.22 μ F \pm 10%, 10V X5R ceramic capacitor (0402) Murata GRM155R61A224KE19
C6, C8	2	2.2 μ F \pm 10%, 6.3V X5R ceramic capacitors (0603) TDK C1608X5R0J225K
C7, C9	2	1000pF \pm 10%, 50V X7R ceramic capacitors (0402) TDK C1005X7R1H102K
D1-D7	7	White LEDs Nichia NSCW215T OSRAM LW Y1SG

DESIGNATION	QTY	DESCRIPTION
D8, D9	2	100mA, 30V Schottky diodes (SOD523) Central Semi CMOS-3
JU1, JU2, JU4, JU5	4	2-pin headers, 0.1in centers Sullins PEC36SAAN Digi-Key S1012E-36-ND
JU3, JU6, JU7, JU8	4	3-pin headers, 0.1in centers Sullins PEC36SAAN Digi-Key S1012E-36-ND
R1, R2	2	2.2k Ω \pm 5% resistors (0402)
S1, S2	2	Momentary pushbutton switches Panasonic EVQ-PHP03T Digi-Key P8002STR-ND
U1	1	Negative charge pump (16 TQFN-EP*) Maxim MAX8848ZETE+

*EP = Exposed pad.



MAX8848Z Evaluation Kit

Component List (continued)

DESIGNATION	QTY	DESCRIPTION
U2, U3	2	Single-switch debouncer (4 SOT143) Maxim MAX6816EUS+T (Top Mark: KABA)

DESIGNATION	QTY	DESCRIPTION
—	8	Shunts (JU1–JU8) Sullins STC02SYAN Digi-Key S9000-ND or equivalent
—	1	PCB: MAX8848Z EVALUATION KIT+

Component Suppliers

SUPPLIER	PHONE	WEBSITE
Central Semiconductor Corp.	631-435-1110	www.centralsemi.com
Digi-Key Corp.	800-344-4539	www.digikey.com
Murata Electronics North America, Inc.	770-436-1300	www.murata-northamerica.com
Nichia Corp.	248-352-6575	www.nichia.com
OSRAM Opto Semiconductor	888-446-7726	www.osram-os.com
Sullins Electronics Corp.	760-744-0125	www.sullinselectronics.com
TDK Corp.	847-803-6100	www.component.tdk.com

Note: Indicate that you are using the MAX8848Z when contacting these component suppliers.

Quick Start

Recommended Equipment

- MAX8848Z EV kit
- Variable 6V power supply or a Li+ battery capable of supplying 1A of output current

Procedure

The EV kit is a fully assembled and tested surface-mount board. Follow the steps below to verify board operation.

Caution: Do not turn on the power supply until all connections are made.

- 1) Verify that the jumpers on the EV kit are configured in their default positions, as shown in Table 1.
- 2) Preset the power supply to 3.6V. Turn off the power supply.
- 3) Connect the positive lead of the 3.6V power supply to the IN pad. Connect the negative lead of the 3.6V power supply to the GND pad.
- 4) Turn on the power supply.
- 5) Verify that all the WLEDs (D1–D7) are lit.

Detailed Description

The MAX8848Z EV kit default jumper settings are shown in Table 1.

Evaluating the MAX8847Y/MAX8847Z/MAX8848Y

To evaluate the MAX8847Y, MAX8847Z, and MAX8848Y, carefully remove the MAX8848Z (U1) and install the MAX8847Y, MAX8847Z, or MAX8848Y. Capacitor C5 needs to be removed for the MAX8848Y evaluation. All other components can remain the same. Jumper settings need to be adjusted for different operations on different ICs.

PWM Dimming Control (MAX8847Y/MAX8847Z/MAX8848Z)

Apply an external PWM signal to ENA to set the corresponding LED current that is proportional to the signal duty cycle (0% duty cycle corresponds to zero LED current and 100% duty cycle corresponds to full LED current). The allowed PWM frequency range is between 200Hz and 200kHz. If PWM dimming control is not required, ENA works as a simple on/off control.

MAX8848Z Evaluation Kit

Serial Pulse-Dimming Control (MAX8847Y/MAX8848Y)

On-board pulse generators are provided to evaluate the serial-pulse dimming feature of the MAX8847Y/MAX8848Y. When first enabled, the LEDs are at full brightness. Repeatedly pressing the S1 or S2 switch generates pulses to reduce the LED current from 24mA to 0.1mA in 31 steps, as shown in Table 2. After the current reaches 0.1mA, the next button press restores the LED current to 24mA. Refer to the MAX8847Y/MAX8847Z and MAX8848Y/MAX8848Z IC data sheets for timing diagrams.

To use the ENA on-board pulse generator, remove the JU3 shunt and install shunts on JU1 and JU2. To use the ENB on-board pulse generator, remove the JU6 shunt and install shunts on JU5 and JU4, or across pins 1-2 of JU7.

To use external pulse generators, remove the shunts on jumper JU1, JU4, or JU7 to disconnect the on-board pulse generators. Connect the external pulse generator to the ENA and ENB pads-

Table 1. Default Jumper Settings

JUMPER	SHUNT POSITION
JU1	Open
JU2	Open
JU3	Pins 1-2
JU4	Open
JU5	Open
JU6	Open
JU7	Pins 2-3
JU8	Open

Table 2. ENA/ENB Serial-Pulse-Dimming Count and Programmed LED_ Currents

ENA/ENB PULSE COUNT	PROGRAMMED LED CURRENT (mA)	ENA/ENB PULSE COUNT	PROGRAMMED LED CURRENT (mA)
Startup or EN_ high	24.0	16	2.8
1	22.4	17	2.4
2	20.8	18	2.0
3	19.2	19	1.6
4	17.6	20	1.4
5	16.0	21	1.2
6	14.4	22	1.0
7	12.8	23	0.8
8	11.2	24	0.7
9	9.6	25	0.6
10	8.0	26	0.5
11	6.4	27	0.4
12	5.6	28	0.3
13	4.8	29	0.2
14	4.0	30	0.1
15	3.2	31	24.0

Evaluates: MAX8847Y/MAX8847Z/MAX8848Y/MAX8848Z

MAX8848Z Evaluation Kit

Evaluates: MAX8847Y/MAX8847Z/MAX8848Y/MAX8848Z

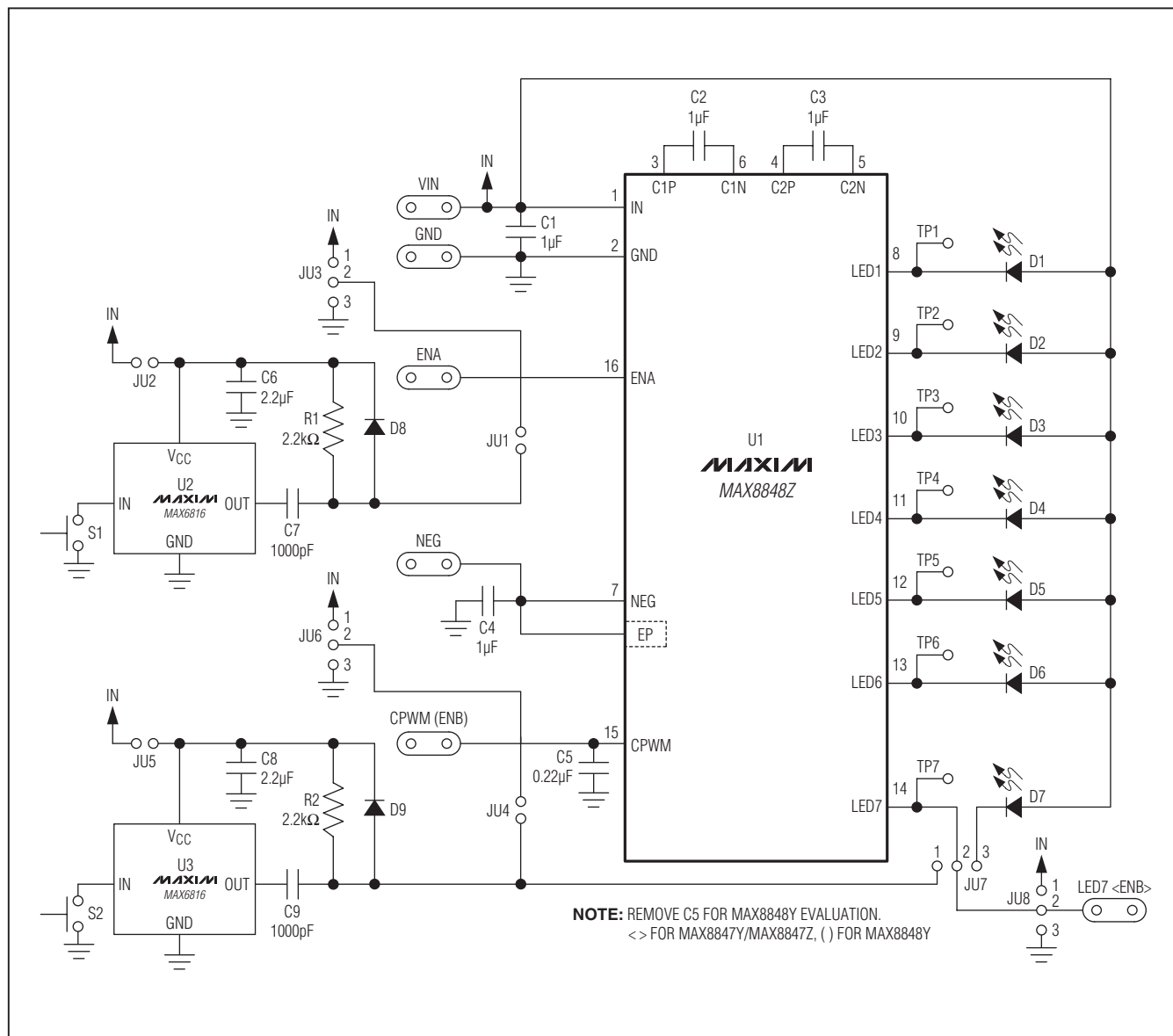


Figure 1. MAX8848Z EV Kit Schematic

MAX8848Z Evaluation Kit

Evaluates: MAX8847Y/MAX8847Z/MAX8848Y/MAX8848Z

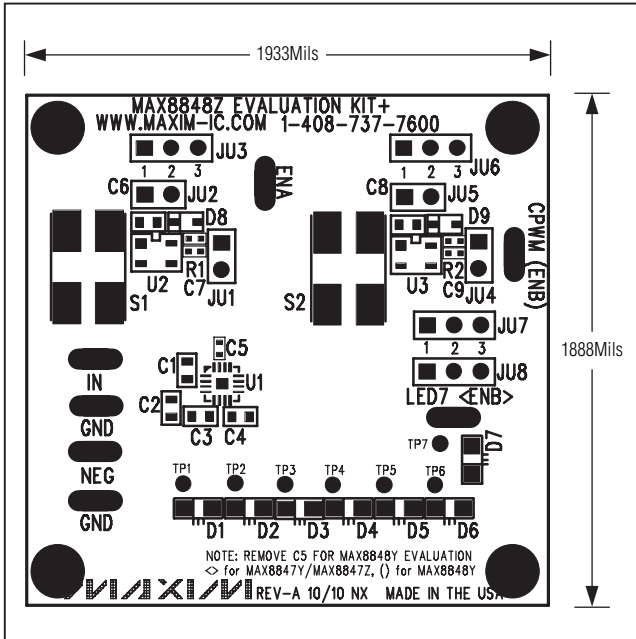


Figure 2. MAX8848Z EV Kit Component Placement Guide—Top Layer

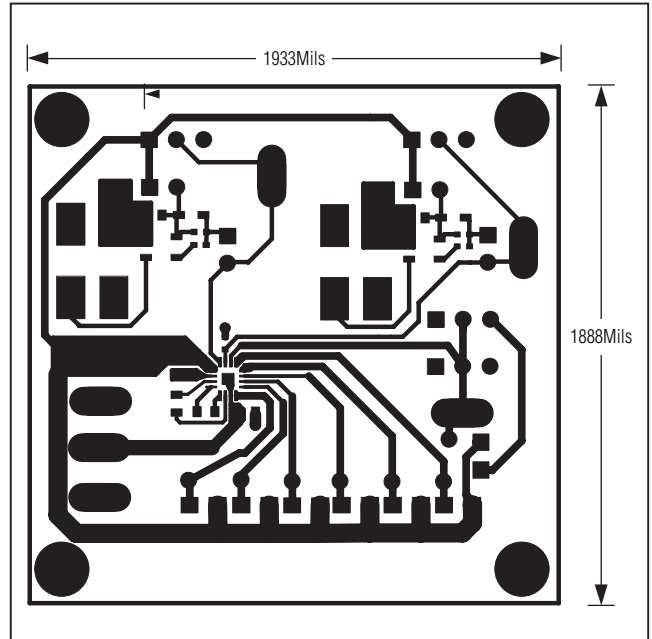


Figure 3. MAX8848Z EV Kit PCB Layout—Top Layer

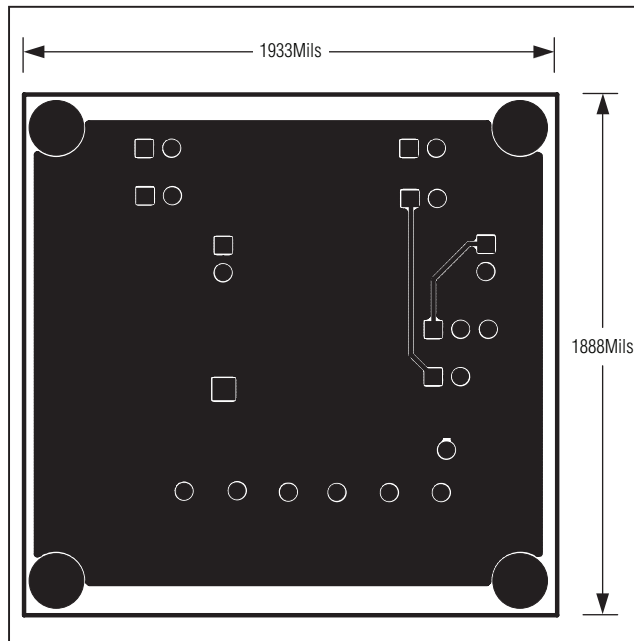


Figure 4. MAX8848Z EV Kit PCB Layout—Bottom Layer

MAX8848Z Evaluation Kit

Revision History

REVISION NUMBER	REVISION DATE	DESCRIPTION	PAGES CHANGED
0	11/10	Initial release	—

Evaluates: MAX8847Y/MAX8847Z/MAX8848Y/MAX8848Z

Maxim cannot assume responsibility for use of any circuitry other than circuitry entirely embodied in a Maxim product. No circuit patent licenses are implied. Maxim reserves the right to change the circuitry and specifications without notice at any time.

6 _____ **Maxim Integrated Products, 120 San Gabriel Drive, Sunnyvale, CA 94086 408-737-7600**

© 2010 Maxim Integrated Products

Maxim is a registered trademark of Maxim Integrated Products, Inc.